

D

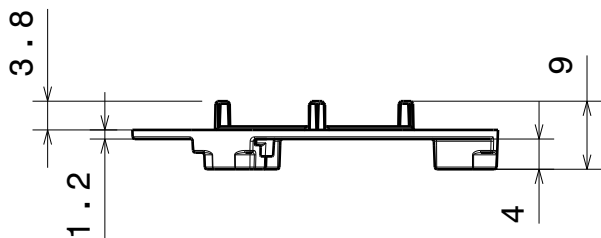
C

B

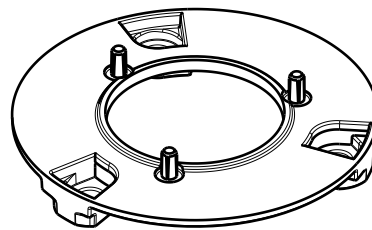
A

4

4



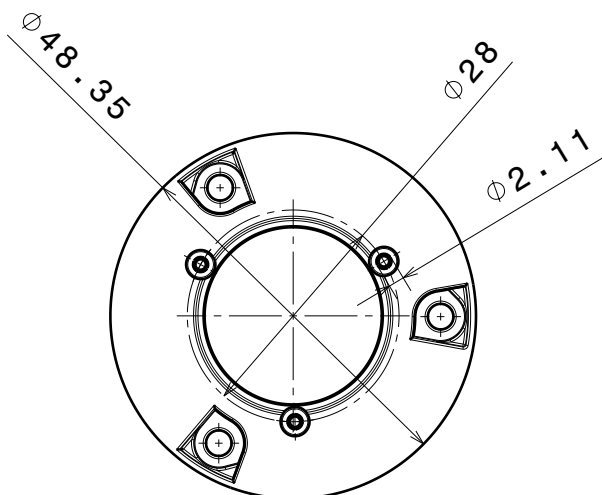
Front view



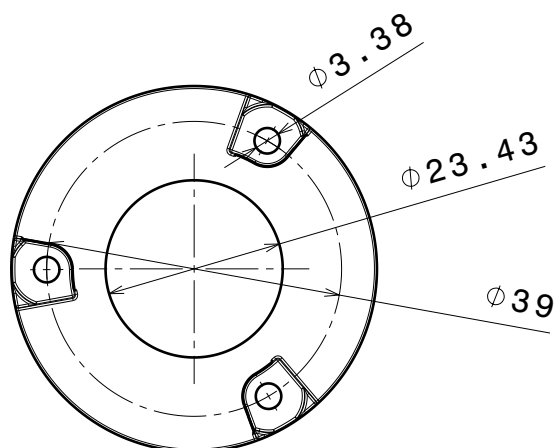
Isometric view

3

3



Top view



Bottom view

2

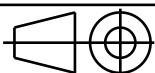
2

INDEX	PART NO	DESCRIPTION	MATERIAL	COLOUR
1	C14636	XTM-PF-ADAPTER	PC	white

Tolerances if not otherwise shown  
According to DIN ISO 2768-1  
Linear measures:  
up to 30mm class M, otherwise class C  
According to DIN ISO 2768-2  
Form and position: class L

Ledil Oy  
Salorankatu 10  
FIN 24240 SALO  
Finland

THIRD ANGLE PROJECTION:



DRAWING TITLE

C14636\_XTM-PF-ADAPTER

This drawing is the property  
of LEDiL Oy. It may not be  
reproduced, copied or  
communicated without a written  
agreement with LEDiL Oy.

SIZE PART NUMBER

A4

C14636

SCALE

1:1

WEIGHT

2,3 g

SHEET

1/1

1

1

D

A